

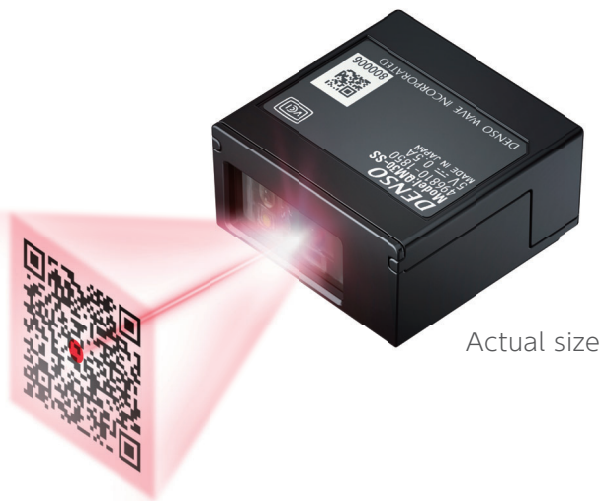
DENSO

FIXED TYPE SCANNER

QM30

SERIES

A New Ultra-Compact Scanner for Tiny Spaces



Actual size



Ticket vending machines

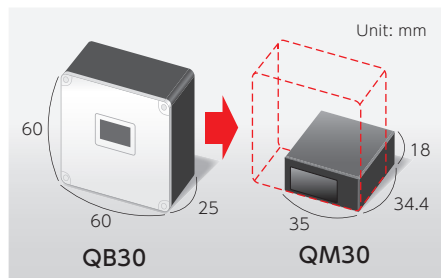


Test verification data management



Scanning coupons and QR codes for purchases

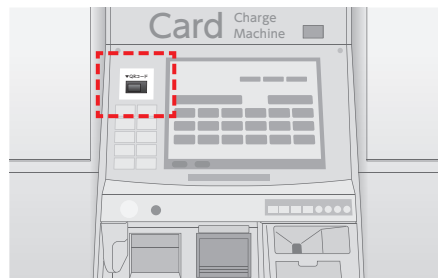
The machines and equipment shown in the photos are for illustrative purposes only.



DENSO WAVE's Smallest and Lightest Scanner Ever

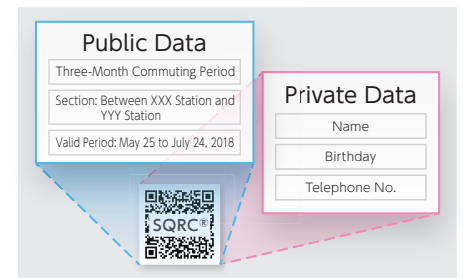
The QM30 series is equipped with the newest module developed in-house by DENSO WAVE. The new module makes it possible to reduce the scanning lens surface area and shrinks the unit's volume to about 1/4* that of the previous product.

*Compared to QB30



Compact Dimensions Ideal for Incorporation into Various Devices

At just 3.5 cm wide, the unit is ideal for incorporating into devices that couldn't otherwise accommodate a scanner. The QM30 helps design smaller scanner modules for space-saving installations.



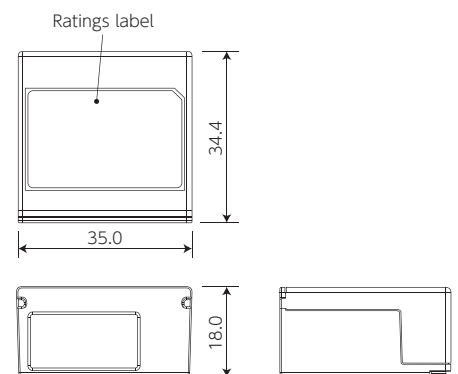
Supports New High-security QR Code

The QM30 supports SQRC* with its enhanced security features and can be used for authenticity verification of high-security member ID cards and similar applications. The QM30 also scans QR codes displayed on smartphones for payment purposes.

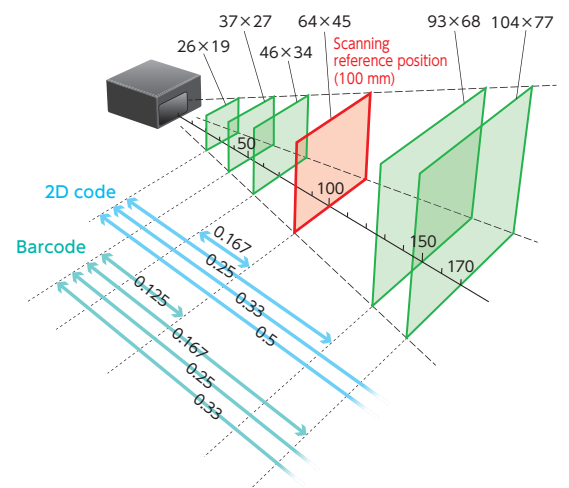
*SQRC is a type of QR code for storing two types of data (public data and private data) in a single code generated by DENSO WAVE's cloud services.

Specifications		QM30-SS	QM30-SU
Scanner section	Readable codes	2D code: QR Code, Micro QR Code, SQRC, DataMatrix, PDF417, Micro PDF417, Aztec	Barcode: EAN-13/8, UPC-A/E, UPC/EAN (Add-on embedded), Interleaved 2 of 5, Codabar (NW-7), CODE39, CODE93, CODE128 (EAN-128), GS1 DataBar (RSS)
	Minimum resolution	2D code: 0.167mm	Barcode: 0.125mm
Image sensor		480,000-pixel CMOS image sensor	
Lighting		Red LED	
Marker		Red LED	
Field of view		Horizontal: 40°, vertical: 30°	
LCD code		Supported	
PCS value		0.30 or higher	
Skew angle		360°	
Elevation angle, inclination angle		±50°	
Communication interface	Method	Serial (TTL level)	USB 2.0 compliant (COM, HID)
	Connector	8-pin board to wire connector	USB connector, micro USB
Power, current consumption		5 VDC ±5 %, 500 mA (scanning), 180 mA (standby)	
Environmental performance	Operating humidity	10 to 90 % RH (no condensation or freezing)	
	Operating temperature	-10~50°C	
	Protection rating	-	
	Drop resistance	-	
External dimensions		35.0(W)×34.4(L)×18.0(H) [mm]	
Weight		Approx. 18 g	
Color		Black	

External dimensions (Unit: mm)



Scanning range and field of view (Unit: mm)



Software	Option
<ul style="list-style-type: none"> ■ USB driver (Active USB-COM Port Driver) HP↓ ■ Setting software (Scanner Setting 2D) HP↓ ■ SSQR code scan setting software (SQRC Setting) HP↓ ■ Keyboard interface software (QR_kbif) HP↓ <p>HP↓ Software programs indicated by this symbol can be downloaded free of charge from our website (QBDirect).</p>	<ul style="list-style-type: none"> ■ Micro USB cable (CB00-US1500/4A-5B-01)

Embeddable products



Scanner specifications are values obtained under an ambient light intensity of 500 lx or lower. Depending on light source position, angle to the label surface, and other factors, specular reflections may prevent scanning in certain cases. Close-distance scanning may be restricted in certain cases, depending on scanning field of view.

*QR Code and SQRC are registered trademarks of DENSO WAVE Incorporated. *The Product appearance, specifications, and other aspects are subject to change without prior notice to allow for improvements. *The data provided in this catalog is accurate as of December 2018.

For product purchase or inquiries, please contact: